

CARTRIDGE CASE DRYER

"SCIROCCO"

Model MY20: LEM1091

USER MANUAL



Dear Customer, Congratulations on purchasing this equipment. Please read this manual carefully and take care of the following hints on installation and use to avoid technical damages. Any failure caused by ignoring the mentioned items and cautions mentioned in the operation and installation instructions are not covered by our warranty and any liability.

TECHNICAL DATA

- Voltage 230 V 50 Hz
- Power supply 245 W

SECURITY INSTRUCTIONS

Intended use

- This appliance is not intended for use by persons (including children) with reduced physical, sensory or mental capabilities, or lack of experience and knowledge, unless they have been given supervision or instruction concerning use of the appliance by a person responsible for their safety.
- Children should be supervised and not play with this appliance.

Appliance To reduce the risk of fire, electrical shock, damage and explosion:

- Never expose the unit to rain.
- Never dry component washed with inflammable liquid
- Never dry or never put in this appliance complete cartridge with powder
- Use only the recommended accessories.
- Do not repair the device yourself. Turn to qualified service specialists for maintenance.
- Do not drop heavy metal objects into this appliance.
- Do not put heavy objects on this appliance.

Power cord/power supply unit To reduce the risk of fire, electrical shock and damage:

- Ensure that the voltage of the power supply corresponds the rated voltage of the appliance.
- Insert the plug properly and completely into the socket.
- Do not pull on the power cord. Do not bend it. Do not place heavy objects on it.
- Do not touch the plug with wet hands.
- Grip the plug on its housing.
- Do not use damaged plugs or a damaged socket.
- Do not leave needles inside the shells. They can go into the electric motor: breakage
Danger

Cleaning on the outside surface

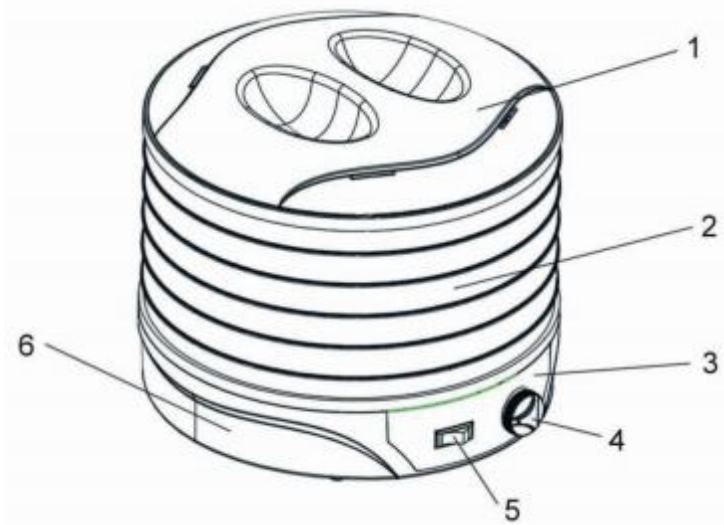
- Do not use volatile liquids, such as insecticide or some types of cleaner. Pressing too hard when wiping can damage the surface. Rubber or plastic parts should not touch the appliance for a longer time.

Repairs

- Repairs to the appliance should only be done by an authorized service centre.
- Modifying or changing the product affects the product safety. Danger of injuries!
- Never open the product by yourself and never carry out repairs on your own!
- A faulty assembly can lead to malfunctioning or a complete failure.
- Open the appliance under no circumstances.

PRODUCT OVERVIEW

1. Steaming lid
2. Trays (4 pcs.)
3. Control panel
4. Knob
5. Switch
6. Base



USE

- **Evenly put the cartridge cases on each trays, it is very important to do this operation with the trays on a table and not with the trays positioned on the base, in order to avoid liquids directly into the machine**
- place the trays with the cartridge cases on the base of product, and then cover the steaming lid.
- Plug the power line into the socket, switch on power, and press down the switch in order to let the product be in a status of operation. When the indicator light of switch goes on, obvious wind will blow out from small holes of steaming lid.
- Adjust the temperature knob to the temperature value
- After the drying of cartridge case, adjust the temperature knob to the lowest position, switch off the power and pull out the plug.
- Removing trays ;clean the top of the machine for example from missing LEM pins or other

ESTIMATED TIME TO DRY THE CARTRIDGE CASE

- Cartridge case washed without primer inside: 20 minutes at 60°C / 70°C
- Cartridge case washed with primer inside: 50 / 60 minutes at 60°C / 70°C

IMPORTANT NOTES and WARRANTY:

- **The maximum using time should not exceed 72 hours** each time, in order not to affect the service life of the complete machine.
- Each time after using, please adjust the temperature knob to the lowest position, turn off the power switch and pull out the socket.
- Water or any other liquid cannot be added into the product

WARRANTY

- The appliance is for personal use at a household and not for professional use
- In case of misuse the warranty is rendered null

MAINTENANCE

Cleaning

- Before cleaning, pull the power plug.
- Clean the inlays lean the steaming grids with warm water and a soft cloth.



Warning: Danger of electrical shock

Do not immerse the appliance in water.

Storage

Store the device in a heated and well-aired room.



ENVIRONMENT CONCERN – DECLARATION OF CONFORMITY

According to the European waste regulation, 2002/96/EG this symbol on the product or on its packaging indicates that this product may not be treated as household waste.

Instead it should be taken to the appropriate collection point for the recycling of electrical and electronic equipment.

By ensuring this product is disposed of correctly, you will help prevent potential negative consequences for the environment and human health, which could otherwise be caused by inappropriate waste handling of this product. For more detailed information about recycling of this product, please contact your local council or your household waste disposal service.



This product is conform to the following European Directives:

2004/108/EC (EMC)

2011/65/EU (RoHS)

2006/95/EC (LVD)

Made in Poland

Eldom Sp. z o.o. ul. Pawła Chromika 5a, 40-238 Katowice, POLAND tel: +48 32 2553340, fax: +48 32 2530412 www.eldom.